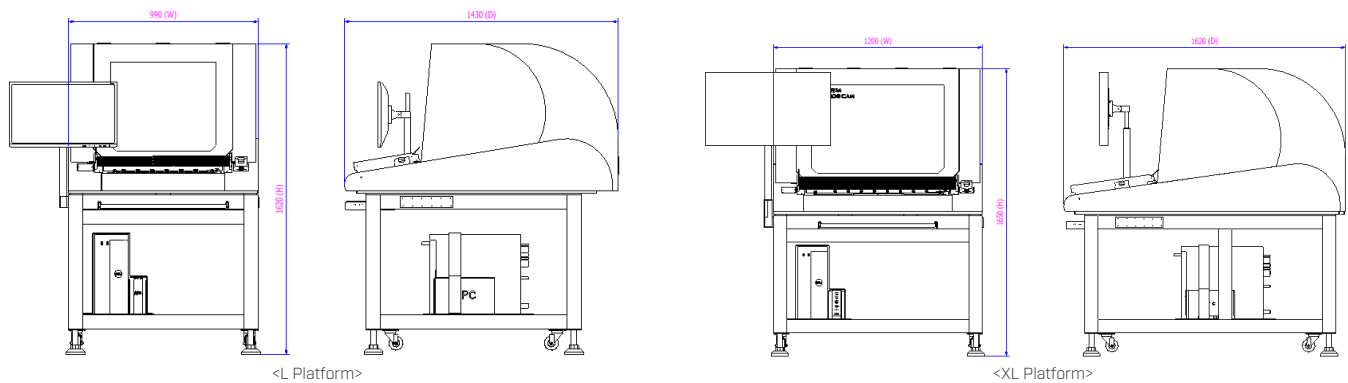


# MV-3 OMNI

The way to Industry 4.0  
**MIRTEC**

PCB Size Range (mm)		L	XL	
Benchtop Inspection Machine		50 x 50 ~ 450 x 400	50 x 50 ~ 660 x 510	
Inspection Technology				
3D Inspection Technology		12 Projection Moiré Technology		
Lens Configuration		Precision Telecentric Compound Lens		
Maximum Component Height	15µm	25mm		
	10µm	20mm		
System Specification				
PCB Handling	Clearance	Top	45mm	
		Bottom	50mm	
	Thickness	Standard	0.5 ~ 3mm	0.5 ~ 3mm
		Option	-	3 ~ 5mm (Conversion Kit)
Weight	3kg			
Software	Standard	Built-in SPC, Built-in Repair		
	Option	ePM-ADI, RMS, RRS, IRS, QLTT, Remote SPC, SPC Server System		
Power Requirements		Single Phase(s) 200~240V 50~60Hz, 1.1kw		
Dimension(WxDxH) [mm] / Weight [kg]				
Machine Dimension		900 x 1,430 x 1,620	1,200 x 1,650 x 1,620	
Weight		Approx. 500kg	Approx. 750kg	

※ We will not be responsible for any problems caused by using unverified BARCODE READER. Contact our HQ for the list of allowed BARCODE READER models to use.



• Data subject to change without notice.



**MIRTEC GmbH [MIRTEC Germany]**

Babenhäuser Str. 50/Geb. 5, 63762 Großostheim, Germany  
TEL : +49 (0) 151 156 25572 MAIL : rgesero@mirtec.com